

Vessels



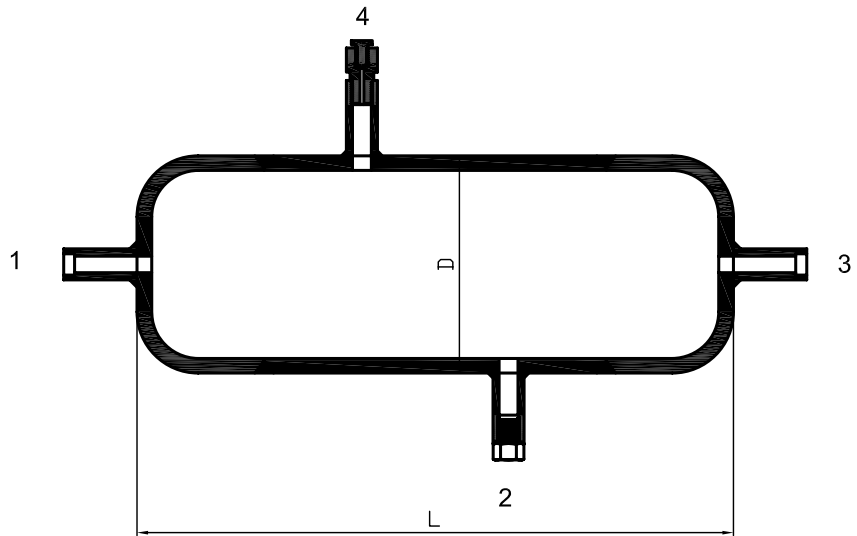
Features

- ◎ Pressure rating ranges from class 300 to 2500
- ◎ Maximum working temperature: 1100°F (594 °C)
- ◎ Full-penetration gas tungsten arc-weld construction to ensure great strength and leak-tight performance
- ◎ All vessels are cleaned in accordance to VFK standard clean procedure.
The connection ends are protected with cap or plug
- ◎ Every pot or vessel is tested for strength with pure water at 1.5 times the working pressure, and is tested thereafter for leak-tight performance with nitrogen at its working pressure.

CP Series

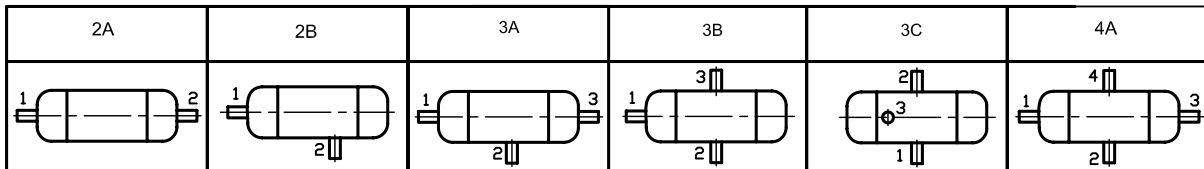
Dimensions

| D | L |
|-----------|-----|
| 3"(88.9) | 215 |
| 4"(114.3) | 360 |



1. Dimensions are for reference only and are subject to change.

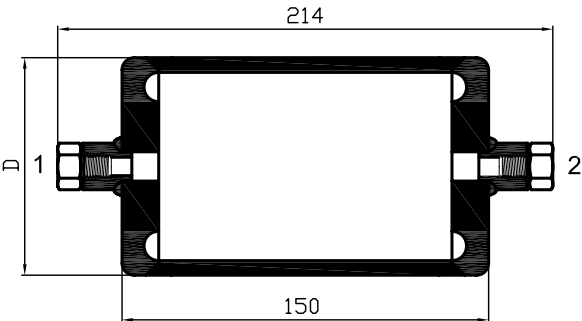
Configurations



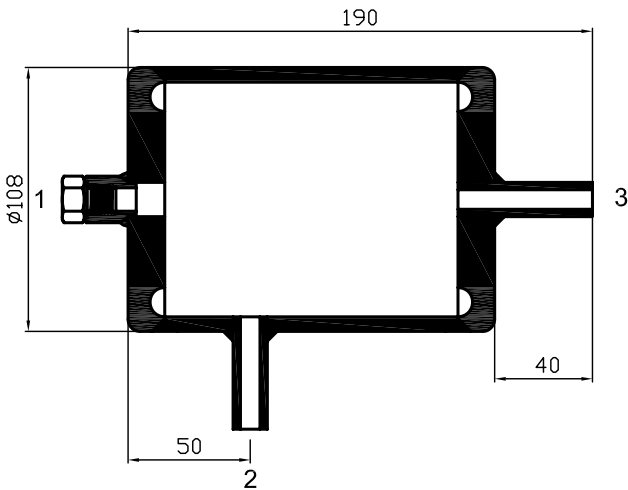
SV Series

Configurations

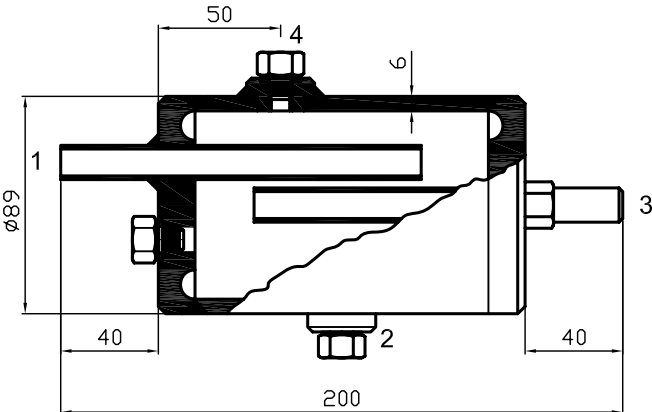
2A



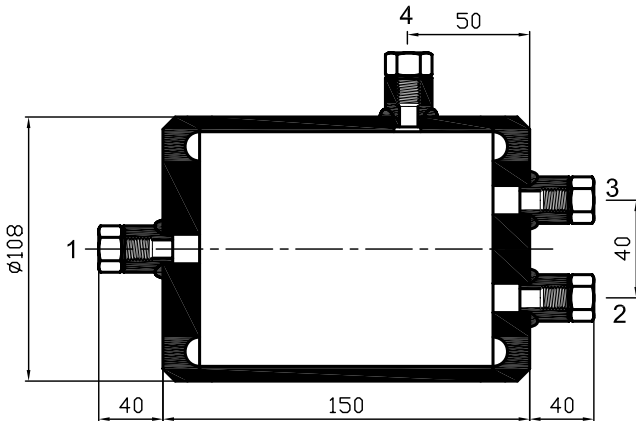
3A



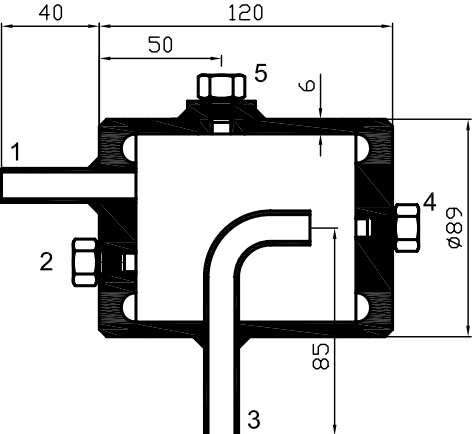
4A

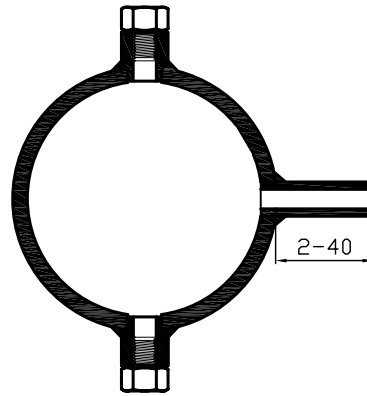
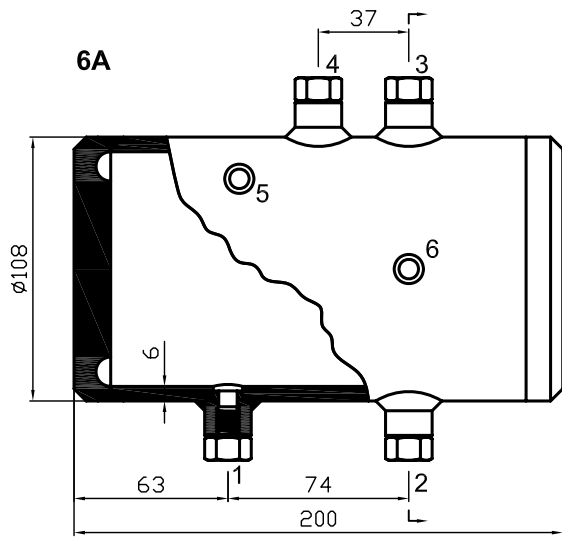


4B



5A





Ordering Information

